

SHURE
STEM
ECOSYSTEM



STEM **ECOSYSTEM** FOR VIDEO CONFERENCING

GET EXCITED TO EXPERIENCE EFFORTLESS AUDIO

The Shure Stem Ecosystem™ gives you the freedom to create, manage, and scale your meeting space audio the way you want it. Address your essential conferencing needs and achieve the perfect, high-quality pickup across your organization, with straightforward solutions designed for any room.



ADVANCED TECHNOLOGY MADE SIMPLE

Building blocks that combine superior sound quality, innovative design, and convenient controls to provide a scalable solution for meeting rooms of all shapes, sizes, and configurations.



FLEXIBLE AUDIO THAT JUST WORKS

The Ecosystem has you covered with every audio element needed for video conferencing, including microphones with built-in DSP, speakers, high-quality speakerphones, and seamless control interfaces. Create your ideal conference room combination by mixing and matching Stem Ecosystem devices to customize your audio coverage, so you can speak freely from anywhere in the room.



ECOSYSTEM PLATFORM

From design to implementation and management, Stem Ecosystem devices are backed by a robust platform full of tools designed to make the process of adopting new technology effortless, every step of the way.



PLAYS NICE WITH OTHERS

Compatible with leading video conferencing platforms and collaboration technologies, the Stem Ecosystem provides a seamless and intuitive user interface to manage virtual meetings at your fingertips.



STEM ECOSYSTEM PLATFORM

Stem devices are backed by a robust platform full of tools designed to make the process of adopting new technology effortless for anyone. You can access the Stem Ecosystem platform via Stem Control, iOS or Android app, or via HTML web browser.

RoomDesign

Virtually recreate your room so you know exactly what audio devices you need before you buy. Choose your favorite combination of devices, place them in your desired location, and even check the estimated coverage ranges.

RoomAdapt

No manual configuration or tuning needed. At the press of a button, Stem devices will listen to and automatically adjust and optimize device settings specific to the acoustic signature of your room.

RoomCheck

By listening to your voice, the noise in the room, and measuring the reverberation that your room acoustics produce, RoomCheck generates a heatmap highlighting the expected audio quality for different areas in the room.

Remote Management

See what's happening across your organization at any given moment. Learn from data-rich statistics about room usage and performance, or schedule automatic device updates, all in one place.



BUILDING BLOCKS

The Shure Stem Ecosystem is made up of four audio devices: Table, Wall, Ceiling, and Speaker that work in tandem with two support devices: Control and Hub. With Stem, you can mix and match devices to create the perfect pickup in every room in your organization.



STEM **WALL** WALL MOUNT ARRAY SPEAKERPHONE

Designed to be mounted on a wall or placed on a credenza, Stem Wall is a high-quality microphone array with built in speakers and subwoofers that turns any environment into a professional conference room. With Stem Wall everyone in your meeting room has a voice.



STEM **TABLE** TABLE ARRAY SPEAKERPHONE

This is not your typical tabletop speakerphone. Stem Table combines beamforming microphone arrays with an innovative loudspeaker to take the quality of your meetings to the next level.



STEM **CEILING** CEILING MICROPHONE ARRAY

Stem Ceiling is a ceiling microphone array designed to be mounted above your conferencing space, giving you uncompromising performance while keeping the technology out of sight.



STEM **SPEAKER** NETWORKED SPEAKER

With its powerful driver and built-in technology, Stem Speaker delivers an exceptional sound experience in any meeting room while allowing you to choose the mounting option that best fits your room.



STEM **HUB** COMMUNICATION CENTER

When you have more than one Stem device in a room or you need additional connectivity options, Stem Hub brings it all together, enabling multiple audio endpoints to communicate with each other and function as one room ecosystem.



STEM **CONTROL** ECOSYSTEM TOUCH CONTROLLER

Everyone wins with a simple user interface. Stem Control is a dedicated touch controller that allows you to access the Stem Ecosystem platform to remotely manage your organization and initiate push-to-start meetings with your favorite video conferencing platforms.



SHURE
STEM
ECOSYSTEM

STEM WALL



STEM TABLE



STEM CEILING



STEM SPEAKER



STEM HUB



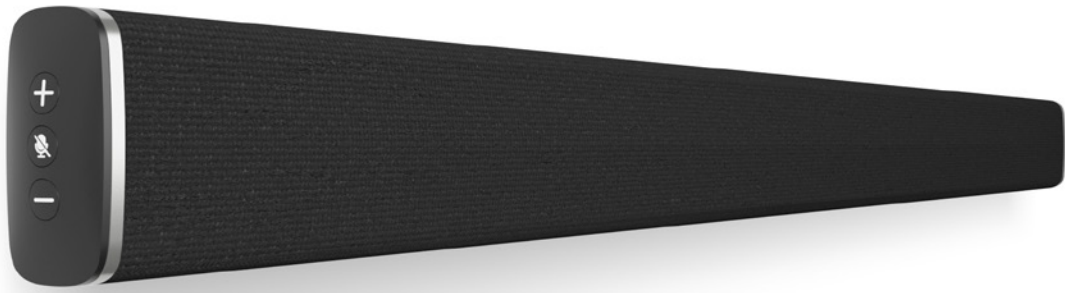
STEM CONTROL



STEM WALL

HIGH QUALITY COVERAGE FROM WALL TO WALL

Wall Mount Array Speakerphone — Designed to be mounted on a wall or placed on a credenza, Stem Wall is a high-quality microphone array with built in speakers and subwoofers that turns any environment into a professional conference room. With Stem Wall everyone in your meeting room has a voice.



+ DIRECTIONAL ARRAY

15 beamforming microphones create 180 degrees of coverage towards the voice source, while multiple LED lights indicate the pick-up direction.

+ NO EXTERNAL SPEAKERS NEEDED

Two built-in speakers and subwoofers deliver full range audio output in any room. Speaker volume can be easily adjusted with volume up & down buttons on the device or through Stem Control.

+ BUILT-IN SIGNAL PROCESSING

State-of-the-art AEC, AGC, noise cancellation, and de-reverberation algorithms enable full duplex communication and enhance the conferencing experience for all participants.

+ INSTALLATION

Power over Ethernet (PoE+) and networked setup eliminate complicated cabling and make installation effortless.

DIMENSIONS

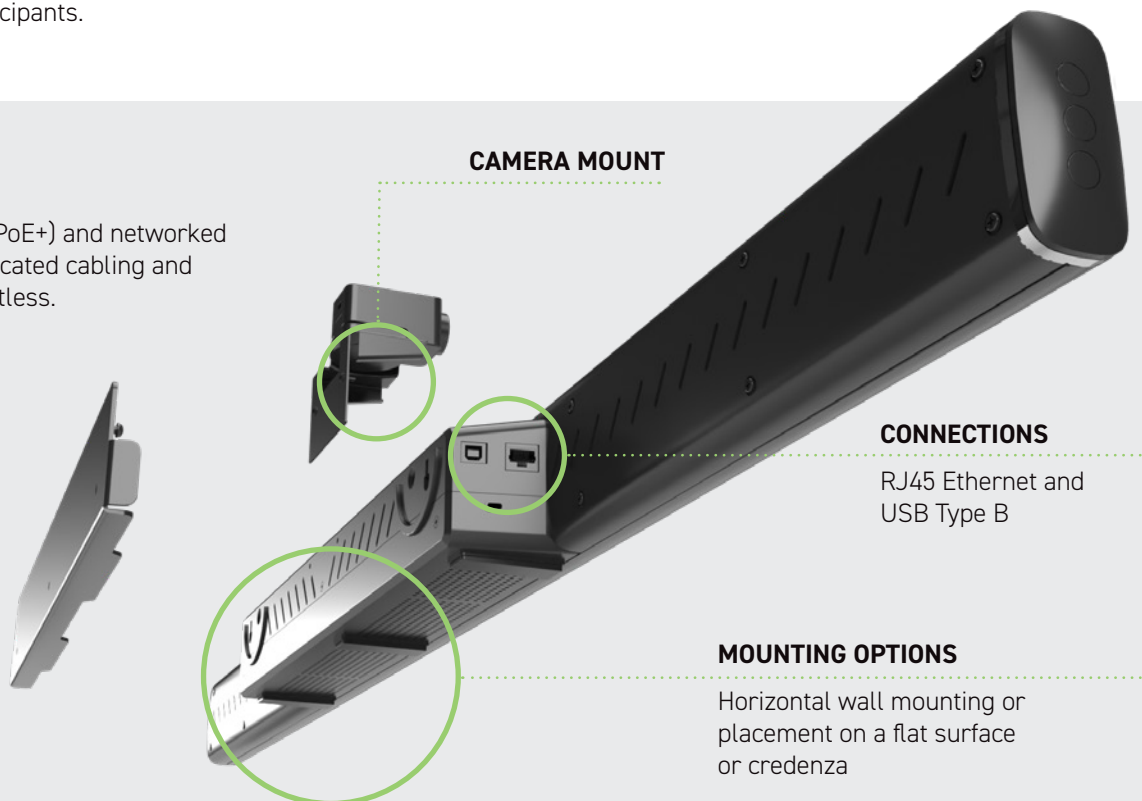
Length: 48 in. (122 cm)
Height: 3.25 in. (8.3 cm)

+ CREATE YOUR IDEAL AV COMBO

Attach the video camera of your choice with the included mounting kit and place the device above or below your display to complete the AV setup in your room. In larger spaces, increase your audio coverage with additional Stem Ecosystem devices.

+ VIDEO CONFERENCING SIMPLIFIED

Compatible with your favorite video conferencing platforms. Directly connect a standalone Stem Wall to your PC via USB or use Stem Control to integrate your Stem Ecosystem for video conferencing.



CAMERA MOUNT

CONNECTIONS

RJ45 Ethernet and
USB Type B

MOUNTING OPTIONS

Horizontal wall mounting or
placement on a flat surface
or credenza



APPLICATIONS

Need more coverage? Mix and match with other Stem Ecosystem devices for a customized audio solution to perfect the pick-up in your rooms. The reference designs below are just a few examples of how you can create countless combinations of Stem Ecosystem devices to meet the needs of any meeting room environment.

See more examples at www.stemaudio.com/reference-room-designs



Huddle Room

1 Stem Wall | 1 Stem Control



Medium Conference Room

2 Stem Walls | 1 Stem Hub | 1 Stem Control



U-Shaped Conference Room

1 Stem Wall | 2 Stem Ceilings | 1 Stem Hub | 1 Stem Control



Classroom

3 Stem Walls | 1 Stem Hub | 1 Stem Control



STEM ECOSYSTEM PLATFORM

Stem devices are backed by a robust platform full of tools designed to make the process of adopting new technology effortless for anyone. You can access the Stem Ecosystem platform via Stem Control, iOS or Android app, or via HTML web browser.

RoomDesign

Virtually recreate your room so you know exactly what audio devices you need before you buy. Choose your favorite combination of devices, place them in your desired location, and even check the estimated coverage ranges.

RoomAdapt

No manual configuration or tuning needed. At the press of a button, Stem devices will listen to and automatically adjust and optimize device settings specific to the acoustic signature of your room.

RoomCheck

By listening to your voice, the noise in the room, and measuring the reverberation that your room acoustics produce, RoomCheck generates a heatmap highlighting the expected audio quality for different areas in the room.

Remote Management

See what's happening across your organization at any given moment. Learn from data-rich statistics about room usage and performance, or schedule automatic device updates, all in one place.

SHURE
STEM
ECOSYSTEM



STEM WALL



STEM TABLE



STEM CEILING



STEM SPEAKER



STEM HUB



STEM CONTROL



STEM TABLE

TABLETOP AUDIO REINVENTED

Table Array Speakerphone — This is not your typical tabletop speakerphone. Stem Table combines beamforming microphone arrays with an innovative loudspeaker to take the quality of your meetings to the next level.



+ DIRECTIONAL ARRAY

9 built-in microphones circle the perimeter to pick up your voice and a segmented LED light ring highlights the direction of the speaker. A mute button on the device provides added control during your call.

+ MICROPHONE AND SPEAKER SEPARATION

A full-range speaker with volume controls at your fingertip. The downward-facing driver separates the speaker from the microphones for enhanced audio performance.

+ BUILT-IN SIGNAL PROCESSING

State-of-the-art AEC, AGC, noise cancellation, and de-reverberation algorithms enable full duplex communication and enhance the conferencing experience for all participants.

+ EASILY EXPAND AUDIO COVERAGE

Place multiple Stem Tables on your conference table, or pair with other Stem Ecosystem devices to cover your room's audio needs.

+ VIDEO CONFERENCING SIMPLIFIED

Compatible with your favorite video conferencing platforms. Directly connect a standalone Stem Table to your PC via USB or use Stem Control to integrate your Stem Ecosystem for video conferencing.

+ INSTALLATION

Power over Ethernet (PoE+) and networked setup eliminate complicated cabling and make installation effortless.

MOUNTING OPTIONS

Tabletops and flat surfaces

DIMENSIONS

Diameter: 7.75 in. (19.7 cm)
Height: 3 in. (7.6 cm)

CONNECTIONS

RJ45 Ethernet and
USB Type B



+ APPLICATIONS

Need more coverage? Mix and match with other Stem Ecosystem devices for a customized audio solution to perfect the pick-up in your rooms. The reference designs below are just a few examples of how you can create countless combinations of Stem Ecosystem devices to meet the needs of any meeting room environment.

See more examples at www.stemaudio.com/reference-room-designs



HUDDLE ROOM

1 Stem Table | 1 Stem Control



MEDIUM CONFERENCE ROOM

1 Stem Ceiling | 1 Stem Table | 1 Stem Hub | 1 Stem Control



LARGE CONFERENCE ROOM

2 Stem Tables | 1 Stem Wall | 1 Stem Hub | 1 Stem Control



U-SHAPED CONFERENCE ROOM

3 Stem Tables | 1 Stem Hub | 1 Stem Control

+ STEM ECOSYSTEM PLATFORM

Stem devices are backed by a robust platform full of tools designed to make the process of adopting new technology effortless for anyone. You can access the Stem Ecosystem platform via Stem Control, iOS or Android app, or via HTML web browser.

RoomDesign

Virtually recreate your room so you know exactly what audio devices you need before you buy. Choose your favorite combination of devices, place them in your desired location, and even check the estimated coverage ranges.

RoomAdapt

No manual configuration or tuning needed. At the press of a button, Stem devices will listen to and automatically adjust and optimize device settings specific to the acoustic signature of your room.

RoomCheck

By listening to your voice, the noise in the room, and measuring the reverberation that your room acoustics produce, RoomCheck generates a heatmap highlighting the expected audio quality for different areas in the room.

Remote Management

See what's happening across your organization at any given moment. Learn from data-rich statistics about room usage and performance, or schedule automatic device updates, all in one place.

SHURE
STEM
ECOSYSTEM



STEM WALL



STEM TABLE



STEM CEILING



STEM SPEAKER



STEM HUB



STEM CONTROL



STEM CEILING

A TRUE WORK OF ART

Ceiling Microphone Array — Stem Ceiling is a ceiling microphone array designed to be mounted above your conferencing space, giving you uncompromising performance while keeping the technology out of sight.



+ ADJUSTABLE BEAMS

100 built-in microphones can be configured to create a narrow, medium, or wide beam so your room is fully covered and no one gets left out of the conversation.

+ AUDIO FENCING

Here's the end-all for noisy offices and busy streets making their way into your important meetings. Stem Ceiling's Audio Fencing mode completely removes outside noise and unwanted distractions to keep the focus on what's important.

+ BUILT-IN SIGNAL PROCESSING

State-of-the-art AEC, AGC, noise cancellation, and de-reverberation algorithms enable full duplex communication and enhance the conferencing experience for all participants.

+ MATCH YOUR ROOM AESTHETICS

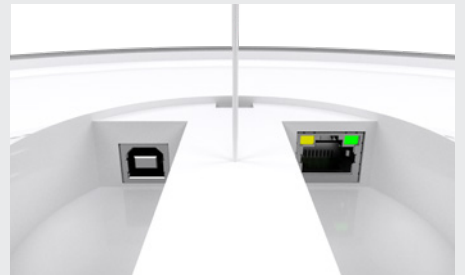
Let your audio blend into your conferencing space or show it off. Stem Ceiling's innovative design gives you the option to discreetly mount the device to a ceiling tile or tie it into the design of the room with chandelier mode.

+ VIDEO CONFERENCING SIMPLIFIED

Compatible with your favorite video conferencing platforms. Directly connect a standalone Stem Ceiling to your PC via USB or use Stem Control to integrate your Stem Ecosystem for video conferencing.

+ INSTALLATION

Power over Ethernet (PoE+) and networked setup eliminate complicated cabling and make installation effortless.



MOUNTING OPTIONS

Low Profile with Ceiling Tile
Suspended in Chandelier Mode

DIMENSIONS

Diameter: 21 in. (54.6 cm)
Height: 1.75 in (4.4 cm)

CONNECTIONS

RJ45 Ethernet and
USB Type B



APPLICATIONS

Need more coverage? Mix and match with other Stem Ecosystem devices for a customized audio solution to perfect the pick-up in your rooms. The reference designs below are just a few examples of how you can create countless combinations of Stem Ecosystem devices to meet the needs of any meeting room environment.

See more examples at www.stemaudio.com/reference-room-designs



HUDDLE ROOM

1 Stem Ceiling | 1 Stem Speaker | 1 Stem Hub | 1 Stem Control



MEDIUM CONFERENCE ROOM

1 Stem Ceiling | 1 Stem Table | 1 Stem Hub | 1 Stem Control



LARGE CONFERENCE ROOM

2 Stem Ceilings | 1 Stem Wall | 1 Stem Hub | 1 Stem Control



U-SHAPED CONFERENCE ROOM

2 Stem Ceilings | 1 Stem Wall | 1 Stem Hub | 1 Stem Control



STEM ECOSYSTEM PLATFORM

Stem devices are backed by a robust platform full of tools designed to make the process of adopting new technology effortless for anyone. You can access the Stem Ecosystem platform via Stem Control, iOS or Android app, or via HTML web browser.

RoomDesign

Virtually recreate your room so you know exactly what audio devices you need before you buy. Choose your favorite combination of devices, place them in your desired location, and even check the estimated coverage ranges.

RoomAdapt

No manual configuration or tuning needed. At the press of a button, Stem devices will listen to and automatically adjust and optimize device settings specific to the acoustic signature of your room.

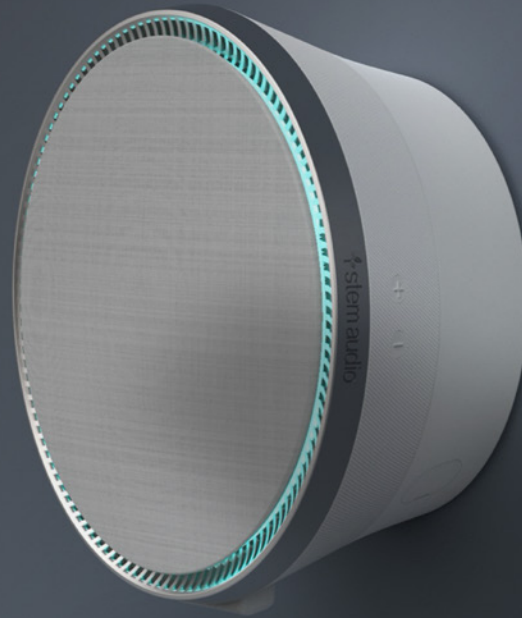
RoomCheck

By listening to your voice, the noise in the room, and measuring the reverberation that your room acoustics produce, RoomCheck generates a heatmap highlighting the expected audio quality for different areas in the room.

Remote Management

See what's happening across your organization at any given moment. Learn from data-rich statistics about room usage and performance, or schedule automatic device updates, all in one place.

SHURE
STEM
ECOSYSTEM



STEM WALL



STEM TABLE



STEM CEILING



STEM SPEAKER



STEM HUB



STEM CONTROL



STEM SPEAKER

EXPAND SOUND ANYWHERE IN THE ROOM

Networked Loudspeaker — With its powerful driver and built-in technology, Stem Speaker delivers an exceptional sound experience in any meeting room while allowing you to choose the mounting option that best fits your room.



+ SET IT UP YOUR WAY

A choice of ceiling, wall, or table mounting options gives you ultimate flexibility and the freedom to highlight your tech or keep it incognito in any environment.

+ SCALES WITH YOUR ECOSYSTEM

Add Stem Speaker to your other Ecosystem devices to expand sound in any meeting space.

+ SIMPLE CONTROLS

Turn the sound up or down with volume buttons on the device or adjust the speaker volume using Stem Control.

+ TURN UP THE TUNES

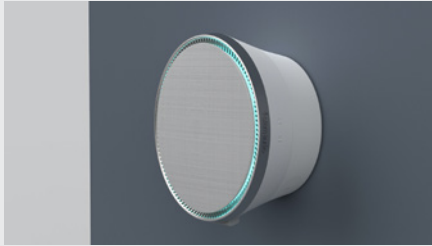
Beyond video conferencing, you can also use Stem Speaker to play program audio, background music, or listen to your favorite songs at full volume.

+ INSTALLATION

Power over Ethernet (PoE+) and networked setup eliminate complicated cabling and make installation effortless.



CEILING MOUNT



WALL MOUNT



TABLE STAND

DIMENSIONS

Diameter: 7.75 in. (19.7 cm)
Height: 3 in. (7.6 cm)



CONNECTIONS

RJ45 Ethernet

+ APPLICATIONS

Need more coverage? Mix and match with other Stem Ecosystem devices for a customized audio solution to perfect the pick-up in your rooms. The reference designs below are just a few examples of how you can create countless combinations of Stem Ecosystem devices to meet the needs of any meeting room environment.

See more examples at www.stemaudio.com/reference-room-designs



Huddle Room

1 Stem Ceiling | 1 Stem Speaker | 1 Stem Hub | 1 Stem Control



Medium Conference Room

2 Stem Ceilings | 4 Stem Speakers | 1 Stem Hub | 1 Stem Control



U-Shaped Conference Room

3 Stem Ceilings | 5 Stem Speakers | 1 Stem Hub | 1 Stem Control



Classroom

1 Stem Wall | 4 Stem Speakers | 1 Stem Hub | 1 Stem Control

+ STEM ECOSYSTEM PLATFORM

Stem devices are backed by a robust platform full of tools designed to make the process of adopting new technology effortless for anyone. You can access the Stem Ecosystem platform via Stem Control, iOS or Android app, or via HTML web browser.

RoomDesign

Virtually recreate your room so you know exactly what audio devices you need before you buy. Choose your favorite combination of devices, place them in your desired location, and even check the estimated coverage ranges.

RoomAdapt

No manual configuration or tuning needed. At the press of a button, Stem devices will listen to and automatically adjust and optimize device settings specific to the acoustic signature of your room.

RoomCheck

By listening to your voice, the noise in the room, and measuring the reverberation that your room acoustics produce, RoomCheck generates a heatmap highlighting the expected audio quality for different areas in the room.

Remote Management

See what's happening across your organization at any given moment. Learn from data-rich statistics about room usage and performance, or schedule automatic device updates, all in one place.



SHURE
STEM
ECOSYSTEM

STEM WALL



STEM TABLE



STEM CEILING



STEM SPEAKER



STEM HUB



STEM CONTROL



STEM HUB

THE BRAINS OF THE OPERATION

Communication Center — When you have more than one Stem device in a room or you need additional connectivity options, Stem Hub brings it all together, enabling multiple audio endpoints to communicate with each other and function as one room ecosystem.



+ ONE CENTRAL DEVICE

Hub processes and centralizes the audio from all your Stem devices to provide a single audio channel for the entire room, and acts as the ecosystem interface for connection with your video conferencing platform.

+ DANTE® AUDIO NETWORKING

Connect your room and Stem Ecosystem into a Dante network with a single Dante input and output channel to and from Hub. The device is also compatible with Dante Domain Manager, allowing seamless expansion over any network infrastructure.

+ INSTALLATION

Power over Ethernet (PoE+) and networked setup eliminate complicated cabling and make installation effortless.

+ FLEXIBLE CONNECTIVITY

Ethernet connection provides the device with data, power, SIP, and the ability to communicate with other Stem endpoints.

The USB interface allows you to connect the ecosystem directly to your PC for video conferencing.

A terminal block connector is also available if you have existing speakers in your room or would like to add them for additional speaker output. Hub has all your bases covered.



MOUNTING

Mount on a wall and hide it behind a screen



DIMENSIONS

Diameter: 7 in. (17.8 cm)
Height: 1.5 in. (3.8 cm)



CONNECTIONS

RJ45 Ethernet, RJ45 Dante, USB Type B, and Female Terminal Block

+ STEM ECOSYSTEM PLATFORM

Stem devices are backed by a robust platform full of tools designed to make the process of adopting new technology effortless for anyone. You can access the Stem Ecosystem platform via Stem Control, iOS or Android app, or via HTML web browser.

RoomDesign

Virtually recreate your room so you know exactly what audio devices you need before you buy. Choose your favorite combination of devices, place them in your desired location, and even check the estimated coverage ranges.

RoomAdapt

No manual configuration or tuning needed. At the press of a button, Stem devices will listen to and automatically adjust and optimize device settings specific to the acoustic signature of your room.

RoomCheck

By listening to your voice, the noise in the room, and measuring the reverberation that your room acoustics produce, RoomCheck generates a heatmap highlighting the expected audio quality for different areas in the room.

Remote Management

See what's happening across your organization at any given moment. Learn from data-rich statistics about room usage and performance, or schedule automatic device updates, all in one place.



SHURE
STEM
ECOSYSTEM



STEM WALL



STEM TABLE



STEM CEILING



STEM SPEAKER



STEM HUB



STEM CONTROL



STEM CONTROL

TAKE CONTROL OF THE WAY YOU WORK

Ecosystem Touch Controller — Everyone wins with a simple user interface. Stem Control is a dedicated touch controller that allows you to access the Stem Ecosystem platform to remotely manage your organization and initiate push-to-start meetings with your favorite video conferencing platforms.

+ ONE-TOUCH CONFERENCING

The 10" LED display allows you to dial SIP calls or launch a conference call directly from the device. Stem Control is compatible and seamlessly integrates with major video conferencing platforms so you can use the platforms you know and love, including Zoom Rooms.

+ ECOSYSTEM ACCESS

The unit comes pre-loaded with the robust Stem Ecosystem platform which includes the RoomDesign, RoomAdapt, and RoomCheck tools to assist you with designing and optimizing the performance of your rooms and devices. You can also access the Remote Management function to view behind-the-scenes usage statistics and reports.

+ INSTALLATION

Power over Ethernet (PoE+) and networked setup eliminate complicated cabling and make installation effortless.

POSITIONING OPTIONS

Sit Up at 60 degree angle
Lay Down at 45 degree angle

DIMENSIONS

Height: 5.4 in. (13.7 cm)
Width: 9.5 in. (24.1 cm)
Depth: 3.5 in. (8.9 cm)

CONNECTIONS

RJ45 Ethernet



+ STEM ECOSYSTEM PLATFORM

Stem devices are backed by a robust platform full of tools designed to make the process of adopting new technology effortless for anyone. You can access the Stem Ecosystem platform via Stem Control, iOS or Android app, or via HTML web browser.

RoomDesign

Virtually recreate your room so you know exactly what audio devices you need before you buy. Choose your favorite combination of devices, place them in your desired location, and even check the estimated coverage ranges.

RoomAdapt

No manual configuration or tuning needed. At the press of a button, Stem devices will listen to and automatically adjust and optimize device settings specific to the acoustic signature of your room.

RoomCheck

By listening to your voice, the noise in the room, and measuring the reverberation that your room acoustics produce, RoomCheck generates a heatmap highlighting the expected audio quality for different areas in the room.

Remote Management

See what's happening across your organization at any given moment. Learn from data-rich statistics about room usage and performance, or schedule automatic device updates, all in one place.